

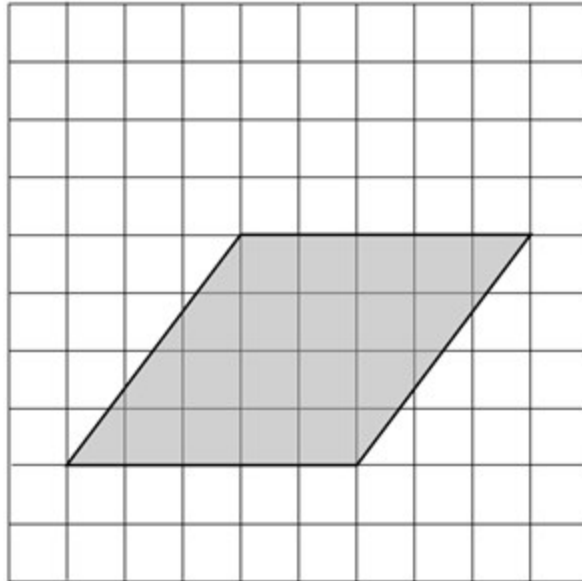
TEST NAME: 2018 CMS 6th Grade Unit 1 Test BANDEL
TEST ID: 2515821
GRADE: 06 - Sixth Grade
SUBJECT: Mathematics
TEST CATEGORY: School Assessment

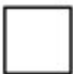
Student: _____

Class: _____

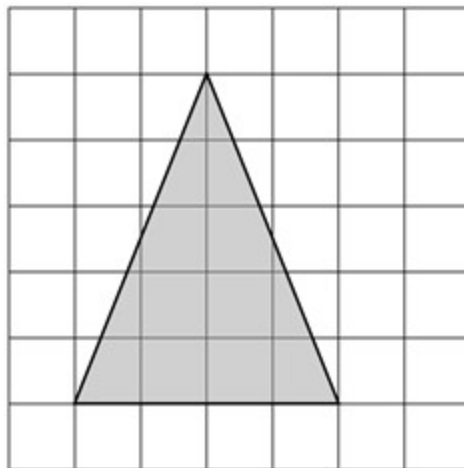
Date: _____


1. What is the area, in square units, of the shaded rhombus shown below?



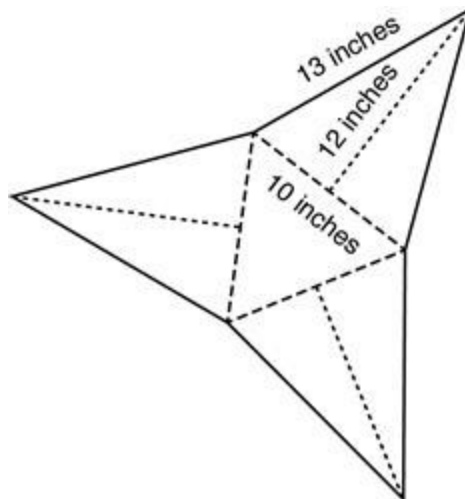
Each  = 1 square unit

2. What is the area, in square units, of the shaded triangle shown below?



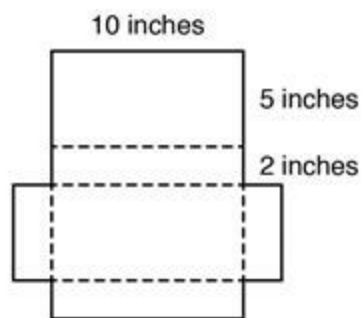
Each  = 1 square unit

3. **The net of a triangular pyramid is shown. A pyramid will be constructed by this pattern, but it will not have a base.**



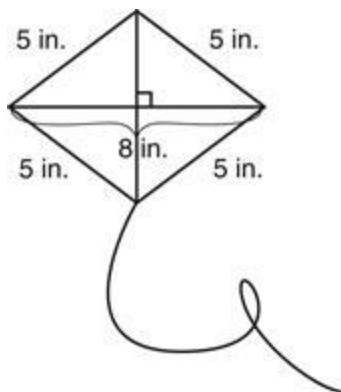
What is the surface area of the faces of the pyramid? Record your answer in square inches.

4. **The net of a rectangular prism is shown.**



What is the surface area, in square inches, of the figure shown in the net?

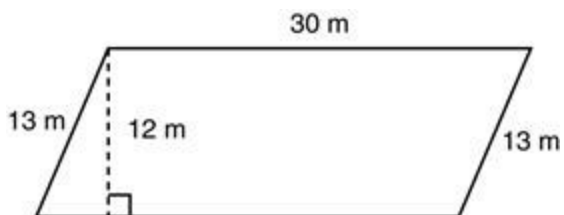
5. Nancy's toy kite is shown with the side lengths labeled.



What is the area of her kite?

- A. 20 square inches
- B. 24 square inches
- C. 25 square inches
- D. 40 square inches

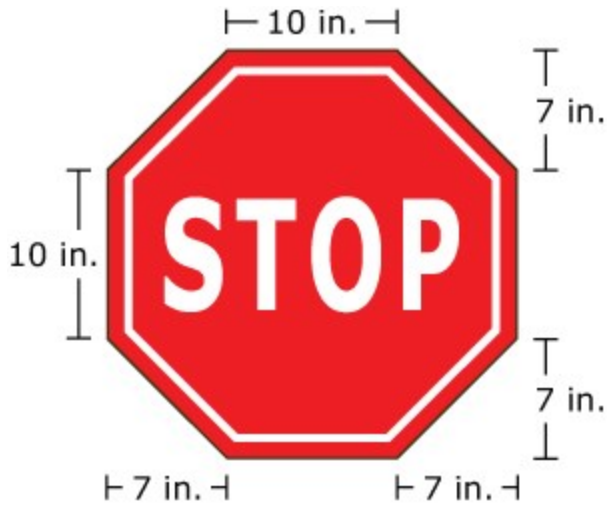
6. The measurements for the parallelogram are given in meters.



What is the area of this parallelogram, in square meters?

- A. 360
- B. 390
- C. 516
- D. 750

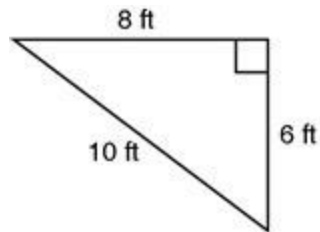
7. Derek drew a picture of the stop sign shown in this diagram.



What is the area, in square inches, of Derek's stop sign?

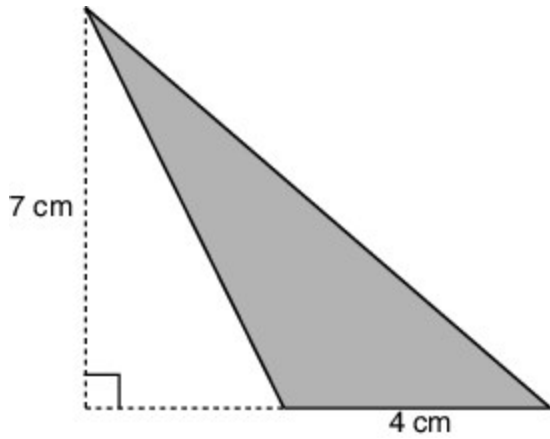
- A. 338
- B. 380
- C. 478
- D. 576

8. What is the area of this triangle?



- A. 24 ft^2
- B. 30 ft^2
- C. 40 ft^2
- D. 48 ft^2

11. What is the area of the shaded triangle?



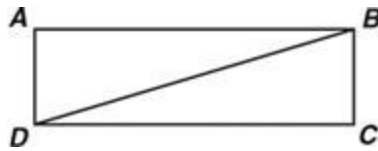
A. 11 cm^2

B. 14 cm^2

C. 28 cm^2

D. 56 cm^2

12. If the area of Triangle ABD is 12 square units, what is the area of Rectangle $ABCD$?



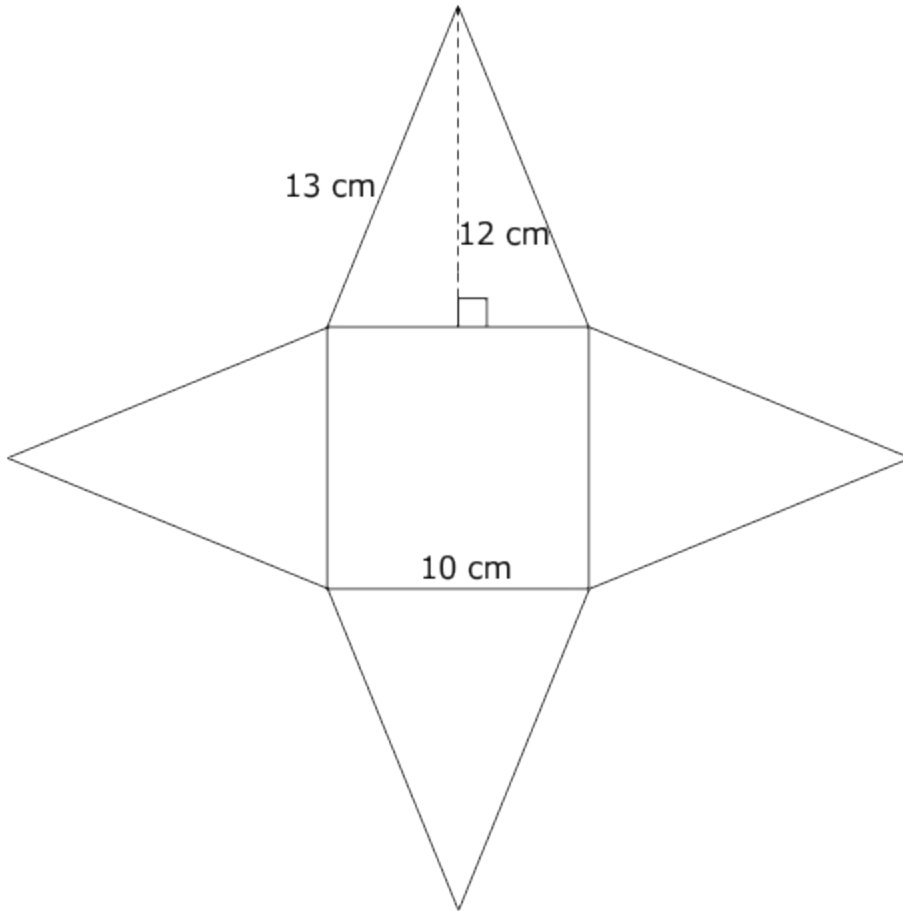
A. 6 square units

B. 12 square units

C. 24 square units

D. 48 square units

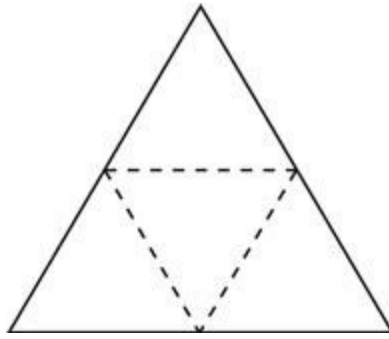
13. The net of a square pyramid is shown below.



What is the surface area of the square pyramid?

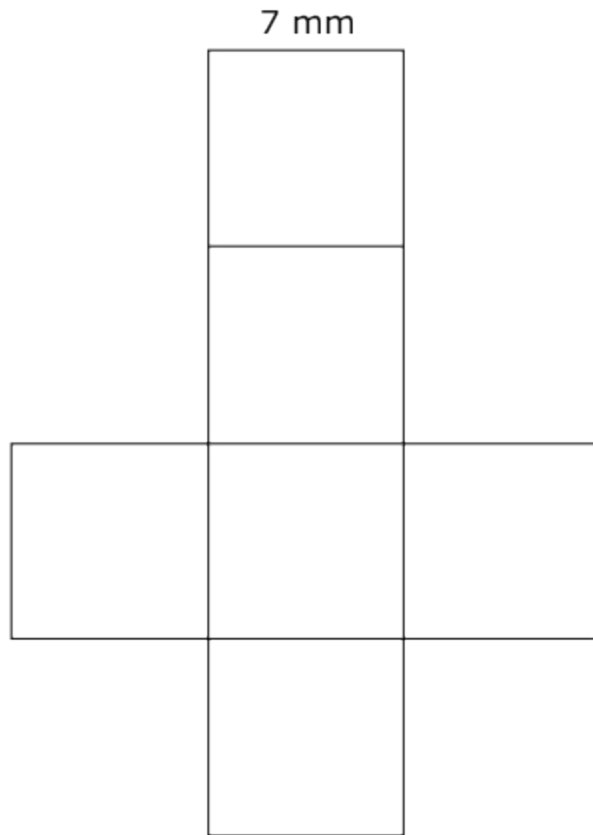
- A. 240 cm^2
- B. 340 cm^2
- C. 580 cm^2
- D. 780 cm^2

14. What 3-dimensional figure can be created by folding the shape below on the dashed lines?



- A. cube
B. prism
C. pyramid
D. triangle

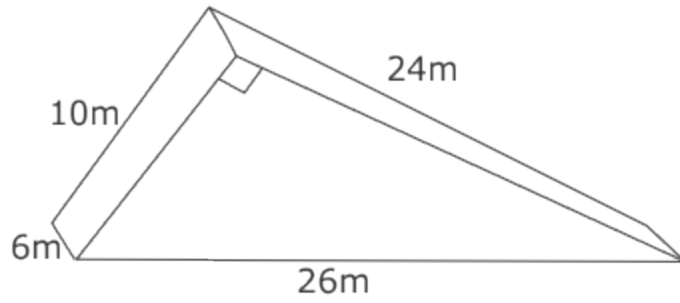
15. The net of a cube with a 7-mm side length is shown below.



What is the surface area of the cube?

- A. 245 mm^2
B. 252 mm^2
C. 294 mm^2
D. 343 mm^2

16. What is the surface area of the triangular prism?



A. 1,440 m²

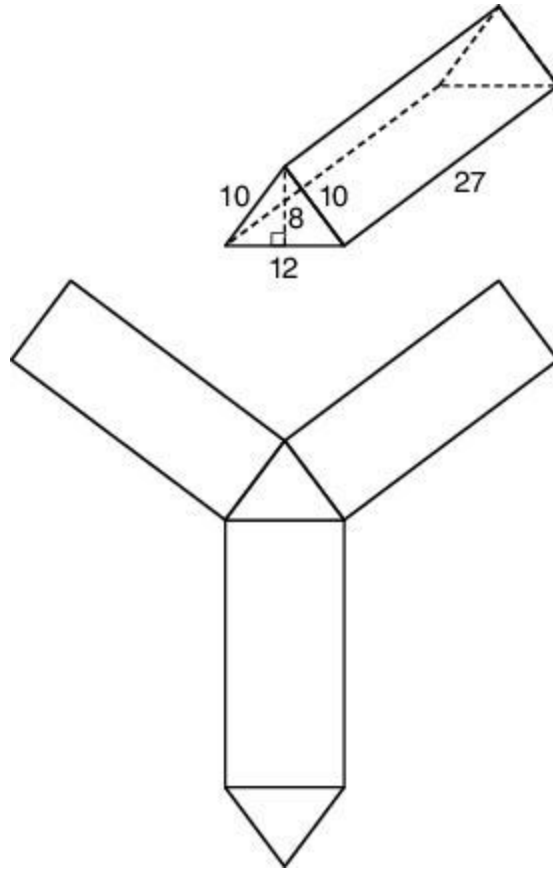
B. 840 m²

C. 600 m²

D. 480 m²

17.

The object below is a triangular prism and its net.



What is the surface area of this triangular prism in square units?

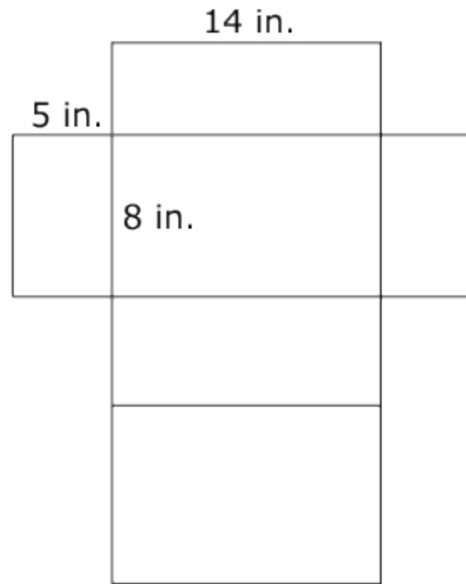
A. 906

B. 912

C. 960

D. 1,056

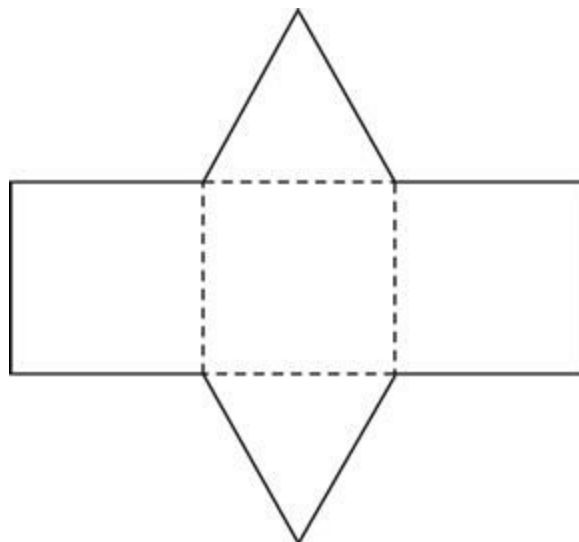
18. A rectangular prism is shown below.



What is the surface area of the rectangular prism?

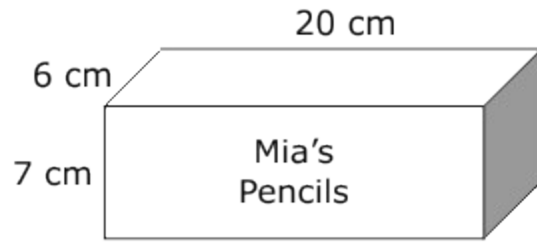
- A. 444 in.^2
- B. 528 in.^2
- C. 560 in.^2

19. **What 3-dimensional figure can be created by folding the shape shown below on the dotted lines?**



- A. cube
- B. prism
- C. pyramid
- D. triangle

20. Mia made a pencil box in the shape of a right rectangular prism.



What is the surface area of the box?

- A. 390 cm^2
- B. 604 cm^2
- C. 840 cm^2
- D. $1,260 \text{ cm}^2$